

FLATSUN - Rafael Lozano-Hemmer

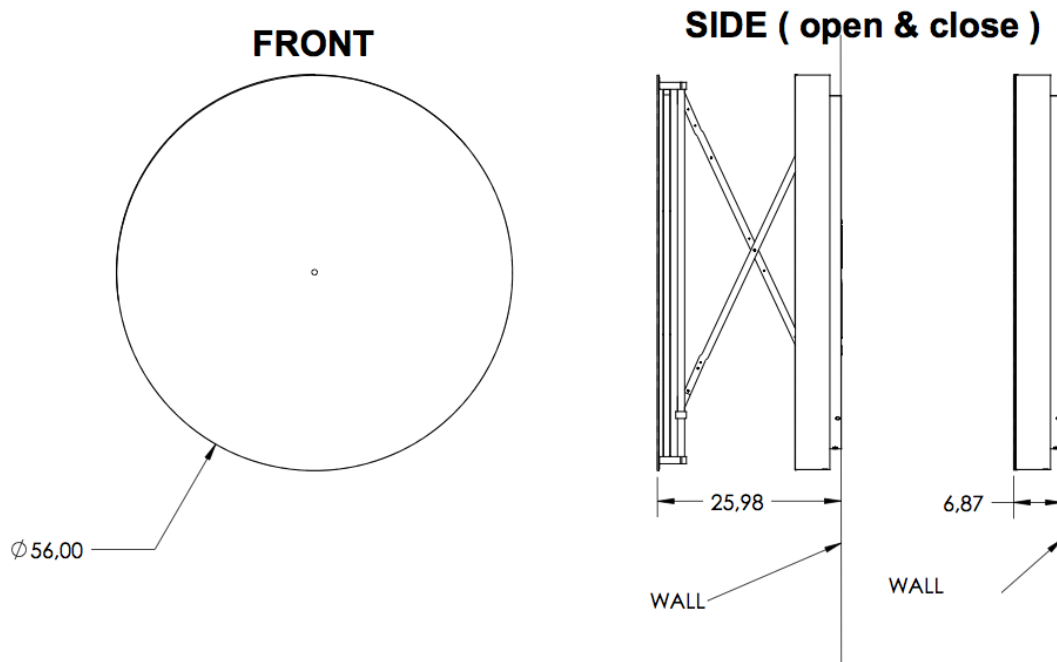
Installation Manual



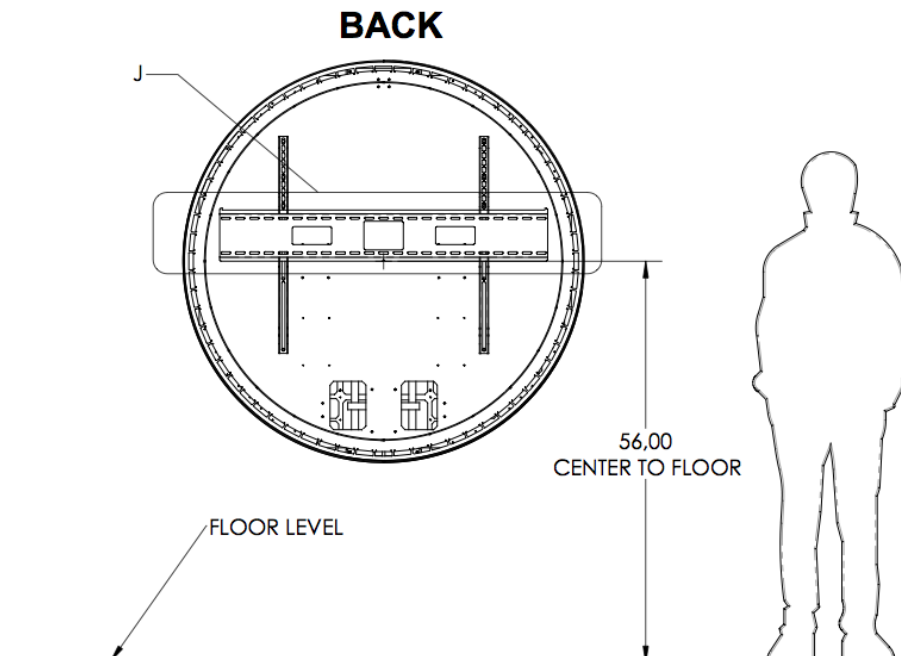
READ FIRST

- Before taking the art work out of the crate, you should prepare the work space and make sure you have enough room. You will need at least 4 or 5 times the size of the crate to be comfortable. The crate is composed of two drawers which you will have to put aside.

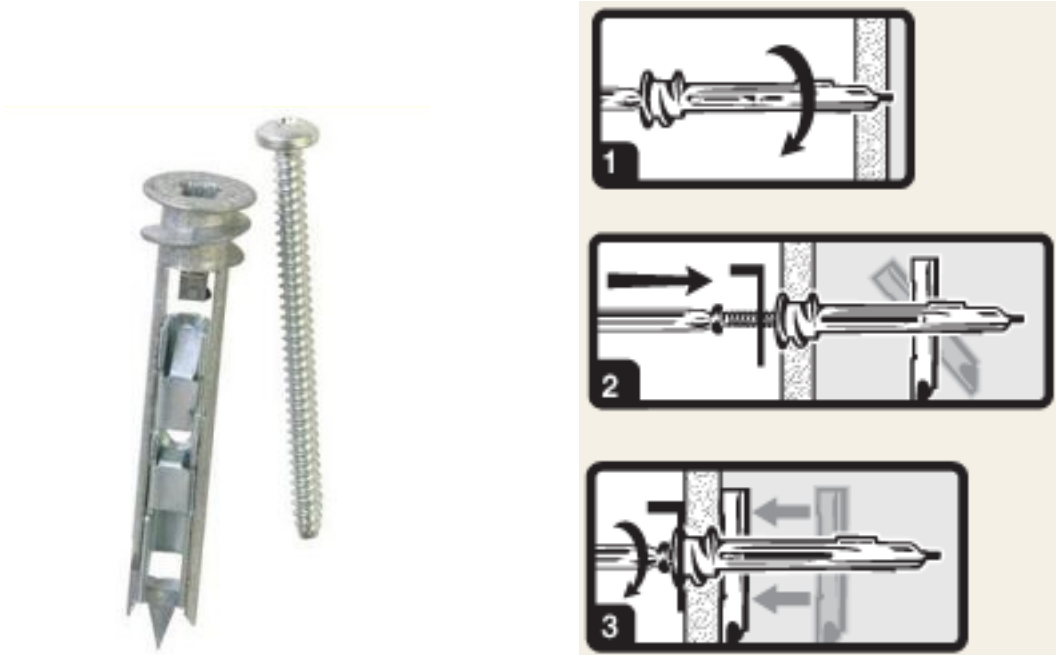
- The piece is shaped as a circle, with a diameter of 56 inches and a thickness which varies between 6.87 inches (17.5 centimeters) when closed and 25.98 inches (66 cm) when open.



- The piece is designed to have the center of the circle at 56 inches (140 cm) from the ground. That measure is the best one to make the piece enjoyable for kids and adults. Instructions on how to hang the piece will follow in the next pages.



- No anchors have been supplied within the shipment. Depending on the type of wall where the piece will be hung, the type of anchor will change: it can go from butterfly anchors for concrete to self tapping screw anchor for drywall, from toggle bolt (Molly) to expandable hollow. Our favorite is the “toggle with swivel hook” (see the pictures bellow) mainly because the best one can hold over 150 pounds each when installed in a thin wall. The choice is up to you, depending on your walltype.



- Regardless of the type of anchors used, make sure you have enough to support more than 1000 pounds and that the size of the screws have a maximal diameter of 1/4. We also recommend to use at least 8 of these to have the weight evenly distributed on the wall.

- Meanwhile you prepare the work and install the wall mount, a cushioned carpet or thin mattress would be useful to sit the piece on it to avoid any scratch or bump.

OPEN THE CRATE

- As describe before, the crate is composed of 2 drawers: the first one contains a glass and is similar to the following pictures. Remove that drawer from the crate and put it aside. Don't remove the glass from the drawer yet, we will take care of the glass later. A minimum of two technicians is needed for that step, but four would be better. Ideally, the four cotton strap handles on the sides (2 per side) should be lifted at the same time.

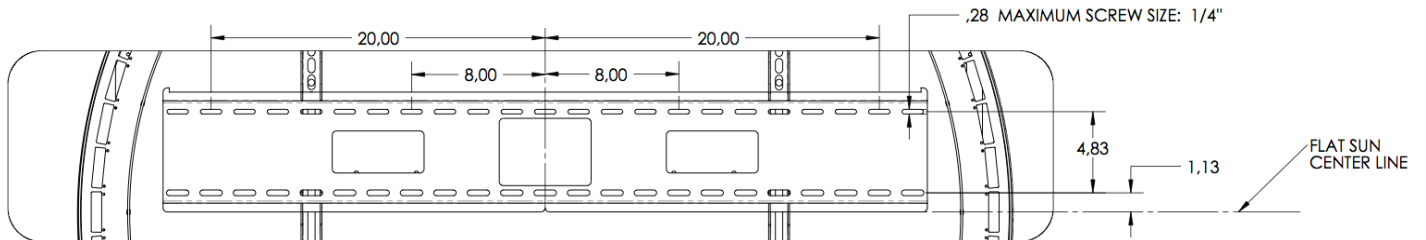


- In the second drawer, we have 6 pieces: two IR dome illuminators, two power supplies, one electronic components layer mounted on a circular frame and one wall mount. We need to remove the electronic components layer and put it aside (preferably on a carpet) to access the wallmount bracket (see picture bellow). A minimum of three technicians, is needed for that step.

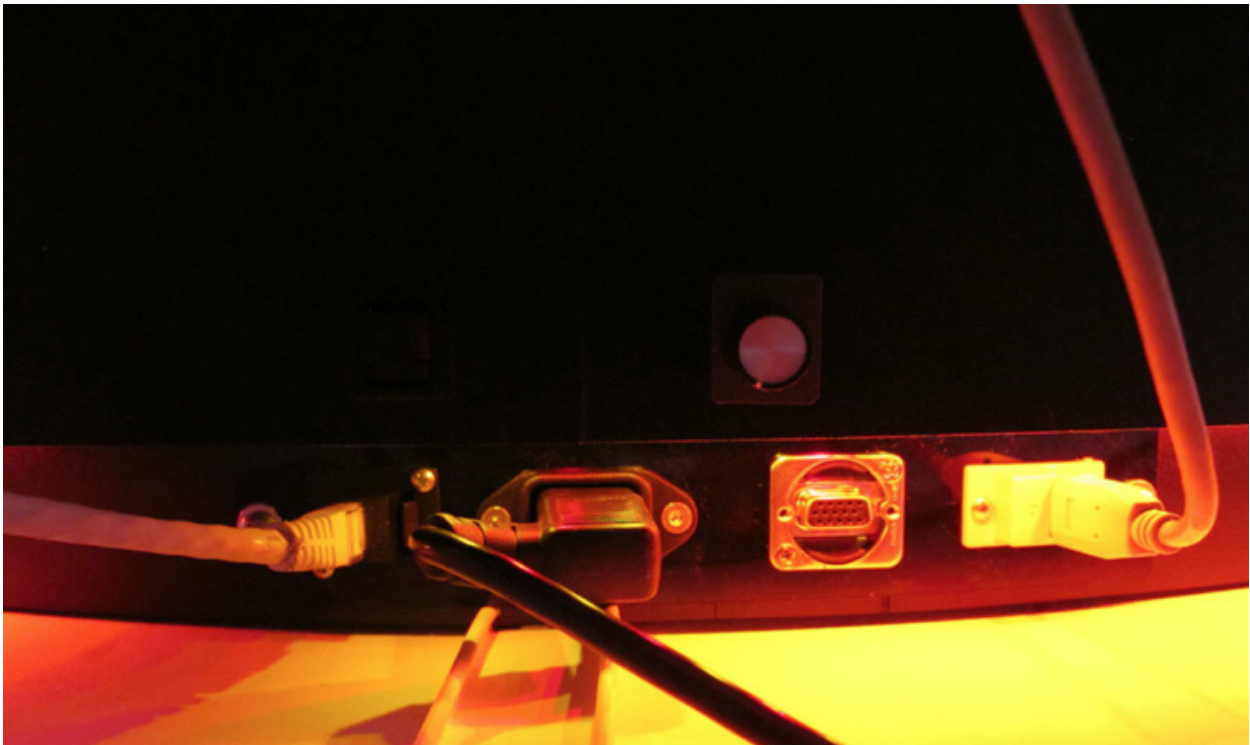


HANGING THE PIECE ON WALL

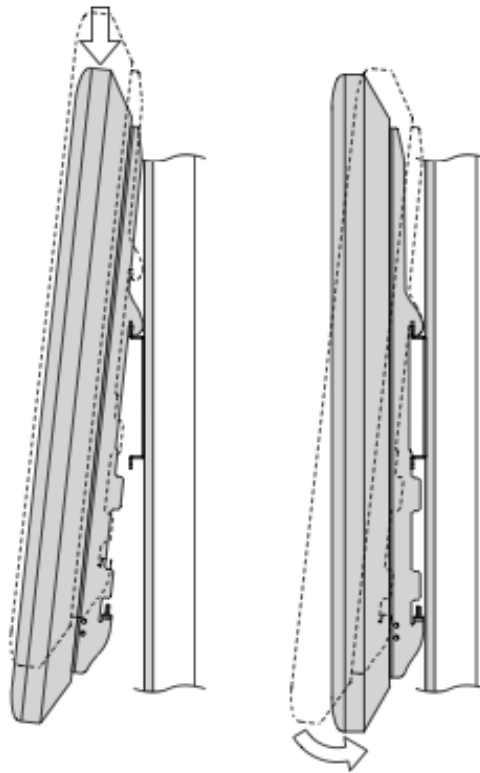
- The best screw layout is the following: on the top and bottom part of the wallmount plate, screws should be at 8 inches and 20 inches from the center of the plate (which is also the center of the piece). The screws at the bottom should be at 57.13 inches from the ground and the screws at the top should be at 61.96 inches from the ground. Use metal washers to ensure that the screws don't go through the wallmount plate holes. Make sure the plate is leveled. Sometimes, the walls and floor are not 100% straight and one side of the plate might need to be leveled.



- Once the wallmount plate is firmly fixed in place, we can hang the circular frame on it. Behind the circular frame, you will notice 2 brackets screwed to the "barrell". These brackets, once the frame will be on the wall, will be in the vertical position. Please notice where the external connectors and the power button are: these components look like the following and need to be at the bottom of the plate once on the wall.



- So, to hang the frame on the wall, we need a minimum of three technicians, two to move it, one to keep the piece in balance. We should center the circular frame around the wallmount plate before lifting it in the air. The circular frame hooks on the wallmount plate as on the following image: we need to lift the frame higher than the wallmount plate, being tilted in a way were the top part is closer to the wall than the bottom part. By slowly moving down the piece, you will feel the brackets getting anchored to the wallmount plate. Once the frame can't go any lower and is leveled, you can untilt the frame by bringing the bottom part closer to the wall. If it's not leveled, one side of the frame is not hanged properly on the wallmount plate.



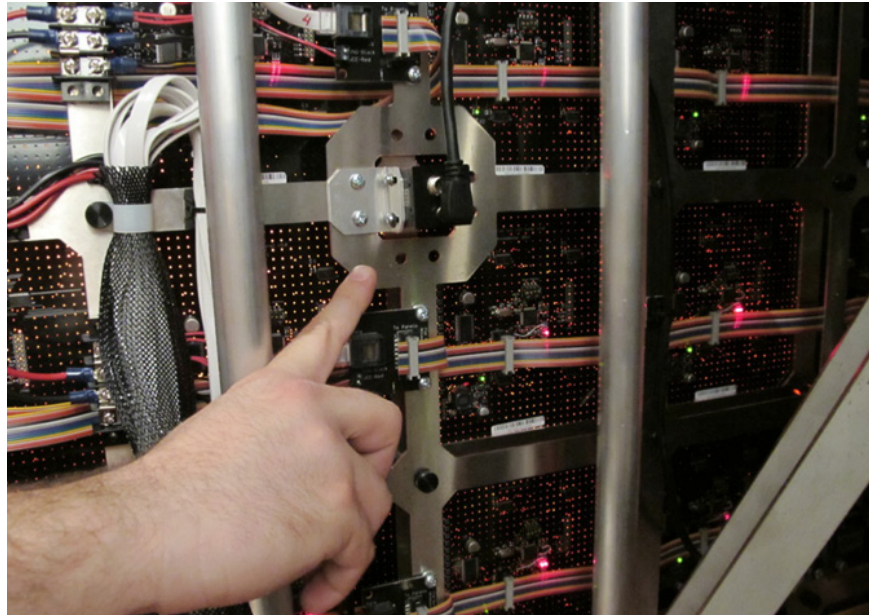
MAKING SURE EVERYTHING IS STILL IN PROPER PLACE

- Even when we mark the crates as fragile material and take a lot of precautions when crating the pieces, it sometimes happens that some pieces move during the cargo travelling. Here is a list of items you should check once the frame is on the wall.

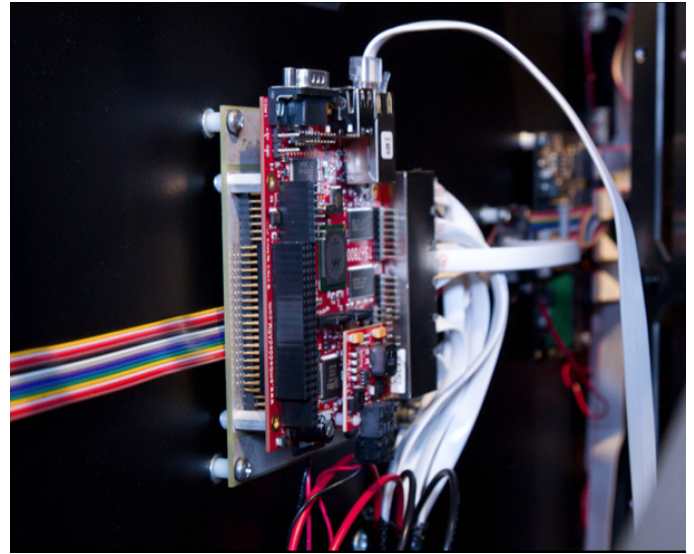
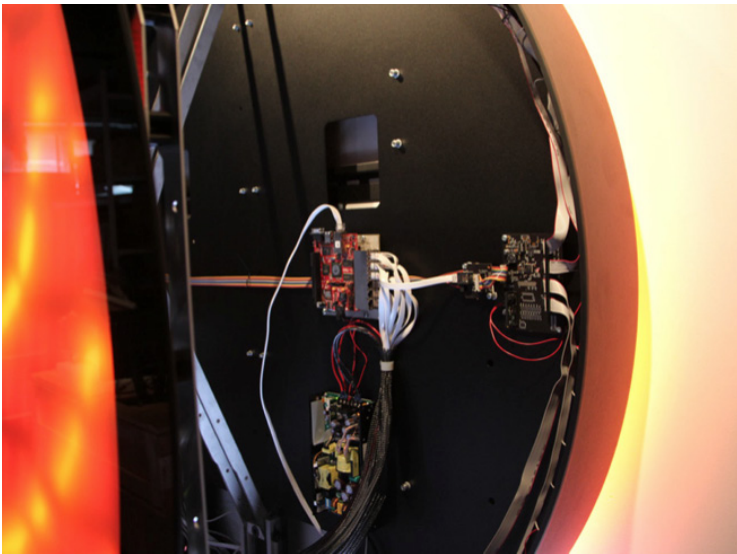
1. Move the LED panels out of the frame. To achieve it, gently pull on the silver colored brackets inside the black frame. These brackets are aligned at the center of the piece, at the top and the bottom.



2. Make sure the camera is still in the brackets in the middle of the LED panels. Avoid moving it, just make sure it's in place.

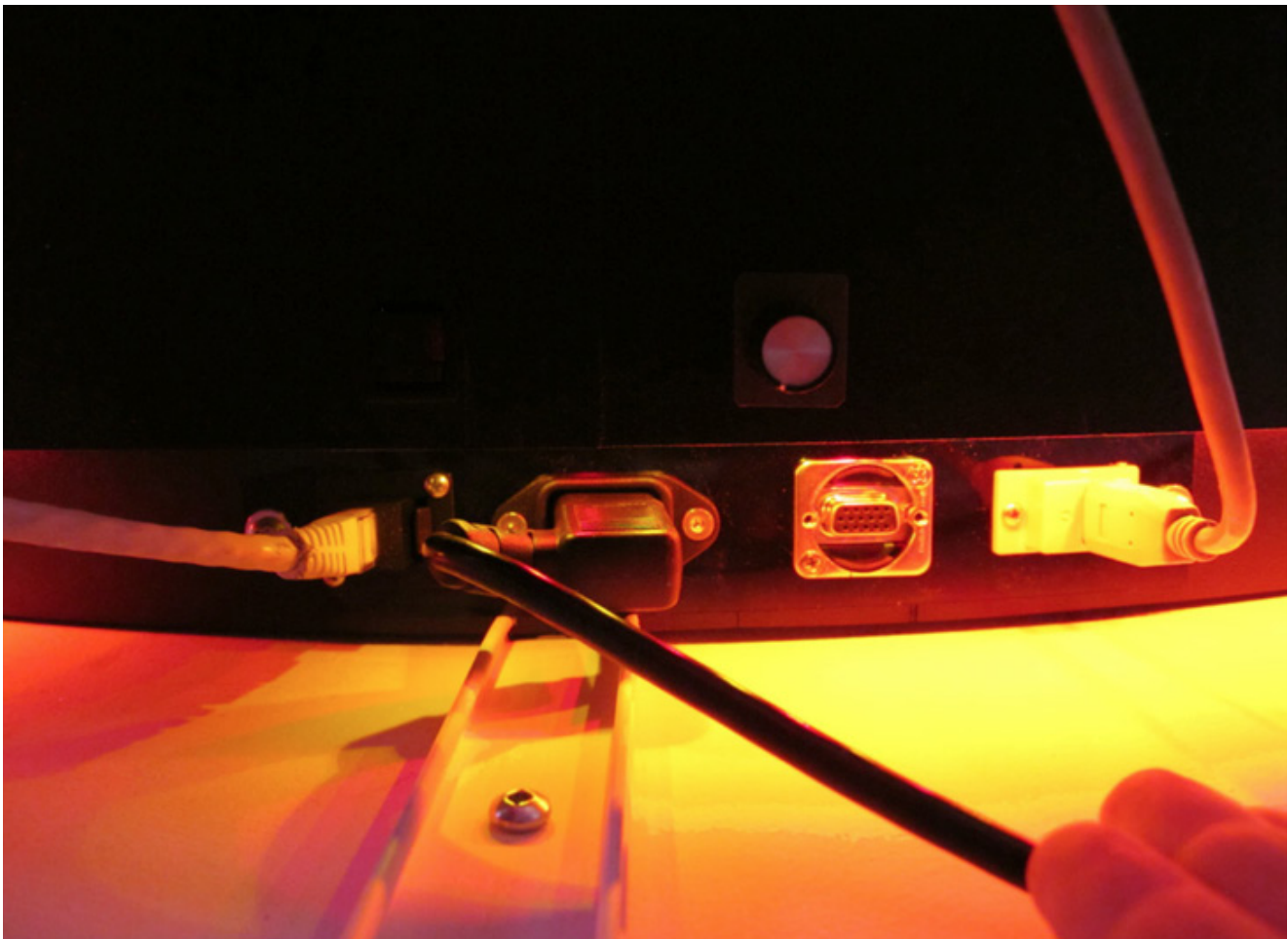


3. Make sure the main controller board is still in place. With the pins on the left well connected and the board well screwed.



WE SHOULD NOW HAVE A FRAME HANGING ON THE WALL

- We now need to power up the piece and get it available on the web. You remember the bottom part of the piece? We want to plug the power cord and the network cable in this area.
- The power outlet is centered, while the network outlet is at the left of the power. Take note that these cables are provided in a different package, not the crate in which the main part of the piece was. Please also connect the other end of the cables, in a electrical outlet and a network outlet (hub, wall outlet, switch, etc.).
- The network cable is optionnal, but we prefer to have it connected, that way we would access the computer in the piece remotely and help you with the installation.



- Once these two cables are plugged in, the piece should turn on by itself, if not, please press on the power button that is at the left of the network cable, at the bottom of the piece. Please notice that the computer inside the piece will make a sound when the computer is booting. Also, the LED panels will display numbers for approximately 5 seconds.

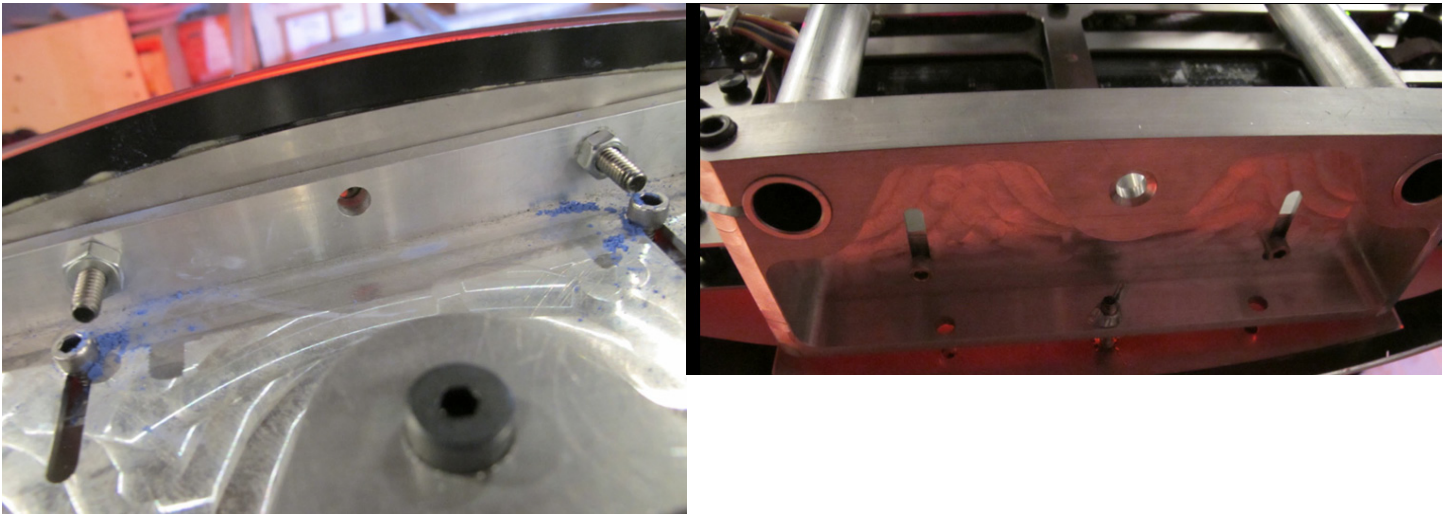


- Once the piece has booted, you will hear a sound coming from the inside and the sun will appear. If after 3 minutes the piece don't show any light or movement, restart it by pressing the power button for 5 seconds then pressing it for 1 second. This will force the computer to shut down and then to start again.



HANGING THE GLASS

- Once the piece is up and running, we can turn it off. You might want to remove the power and network cable for that step, since we will hook the glass to the frame. For that step, we will need up to three technicians: two to hold the glass and one to screw the glass.
- Lift the drawer containing the glass and unscrew the butterfly nut and the two hexagonal nuts. Take note that the side with the two nuts is the top and the side with the butterfly nut is the bottom. Keep the nuts, they will be used to hold the glass to the frame.
- Lift the glass from the drawer and put it in the silver colored metal brackets of the frame. Remember that the side with 2 screws (picture at the bottom left) is the top part of the glass.



- Use your hands to screw the nuts and the butterfly nut. You may want to use a wrench to tight a touch more the nuts from the top bracket: but avoid tightening it too much, otherwise, the glass may break.
- Once it is done, plug back the power and network cable. You may want to hide them in a cable hider channel. That piece is not provided in the shipment.